

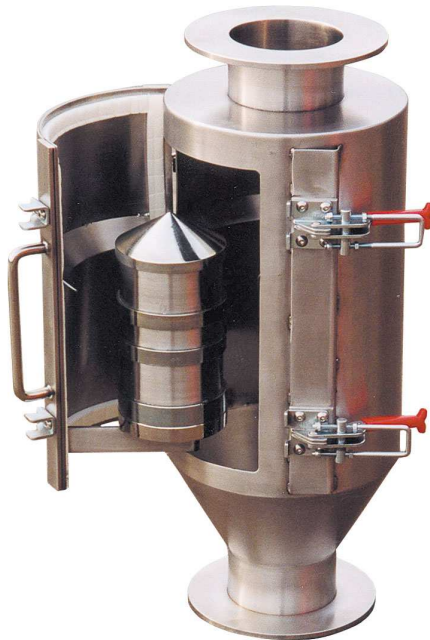
Bullet Magnet

High Intensity – Rare Earth



Data Sheet No 516

Product Data:-



Preface:

Housed Bullet magnets are ideal for the removal of tramp type contamination for example nuts, bolts, staples etc. from gravity & pneumatically conveyed pipelines.

The unit is designed to prevent tramp iron from damaging expensive process machinery such as blenders, granulators, mixers & screw feed conveyors.

A high intensity magnetic bullet element is centrally mounted within a stainless steel housing. The design ensures that product flow is unaffected by the magnetic element.

The bullet element incorporates high intensity Rare Earth magnetic material which generates deep penetrating magnetic flux fields ensuring contamination is captured whilst the angled nose cone assists in maintaining product integrity and full flow during processing.

All powders and granular type materials that are dry can be processed through the unit. Electrical safety interlocks can be fitted to the magnetic packs to stop the process should they be accidentally opened.

Cleaning:

The Eclipse Bullet magnet is cleaned by hand. Simply release the door securing toggle clamps, which will allow the door to open on its hinge. Access to the bullet element can now be achieved. All attracted contamination can now be removed, it is advisable to wear protective gloves to avoid any hand injuries from sharp attracted items.

Suitable Products:

Dry powders and granulates, grain and 'lumpy' products.

Suitable Locations:

Inlet/outlet points.

Benefits:

Easy to inspect ■ Maintains full flow ■ High collection capacity ■ Reduces 'spark' risk ■ Removes 'tramp' sized contaminants ■ Meet audit requirements ■ Rare Earth deep magnetic field ■

Category:

Primary.



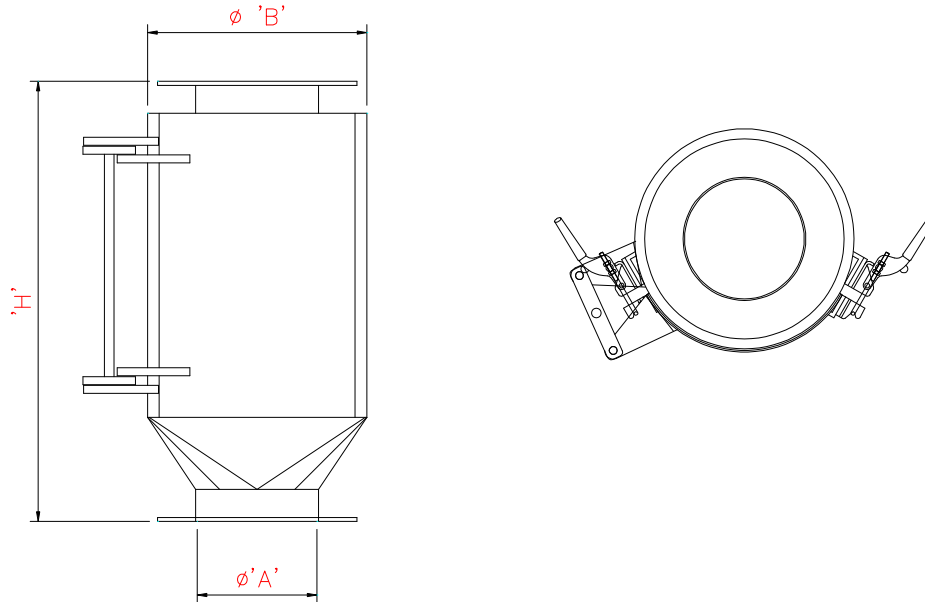
Fig A.

Bullet Magnet

High Intensity – Rare Earth



Technical Data:-



Sizes:-

Part No	Inlet/Outlet A	Dia B	Height H	Weight Kgs
HBM075	75 / 3" Ø	200	490	16
HBM100	100 / 4" Ø	225	490	22
HBM125	125 / 5" Ø	250	550	33
HBM150	150 / 6" Ø	275	550	46
HBM175	175 / 7" Ø	300	640	60
HBM200	200 / 8" Ø	325	640	105
HBM250	250 / 10" Ø	375	710	160
HBM300	300 / 12" Ø	425	710	210

Performance:-

All dimensions in mm

Magnetic Performance:	9,000 Gauss
Performance Reading:	On magnetic pole surface
Magnetic Material:	Rare Earth Neodymium Iron Boron
Magnet Grade:	N35 – Inspected & confirmed via hysteresis graph prior to use
Temperature:	-20° C/ + 90° C
Pressure:	+/- 0.8Bar

Materials:-

Housing:	304 Grade Stainless Steel
Other Parts:	304 Grade Stainless Steel
Surface Finish:	Bead Blast
Sealing:	Self adhered white foam
Toggle Clamps:	Mild Steel – Bright Zinc plated

Options:-

Stainless Steel toggle clamps	High temperature Samarium Cobalt magnetic material, + 250° C
Sizes up to 500mm Ø	Metal detectable Silicon rubber seal – Dark blue, FDA Approved
316 Grade Stainless Steel	Flanged to suit
Safety relay switches	
Ceramic magnetic material	