

Liquid Filter Magnet

High Intensity – Rare Earth



Data Sheet No 518

Product Data:-



Standard Design



Bespoke Design

Preface:

The Eclipse high intensity liquid filter magnetic separator has been designed to operate in pressurised transfer lines to provide protection against ferrous and paramagnetic contamination.

The unit comprises of a vessel, magnetic lid assembly and band clamp, which secures the unit together. The filter is available in two versions, single wall & double wall, jacketed for heated pipelines.

The filter can be utilised in any line that processes liquids at all viscosity levels and can be installed at any angle from vertical to horizontal. A common installation location is tanker loading and discharge to inspect outgoing & incoming materials.

The filter can be supplied to suit various processing volumes, pressures, temperatures and specifications.

Cleaning:

The filter benefits from the Eclipse 'Easy Clean' system. Once the unit requires cleaning simply release the quick release band clamp, remove the contaminated cartridge from the housing and remove the magnetic cores from the tube assembly. It is at this stage that all attracted contamination can be easily removed allowing for inspection or further analysis.

Suitable Products:

Chocolate, Molases, Jam, Syrup, Juice, Sauce, Paste's, Soup Pickles, Spreads, Beverages etc.

Suitable Locations:

All, Vertical, Horizontal or Angled.

Benefits:

Easy to clean ■ Removes sub micron sized contaminants ■ Meet audit requirements ■ Rare Earth 9,000 Gauss ■ No consumables ■ No pressure drop ■

Category:

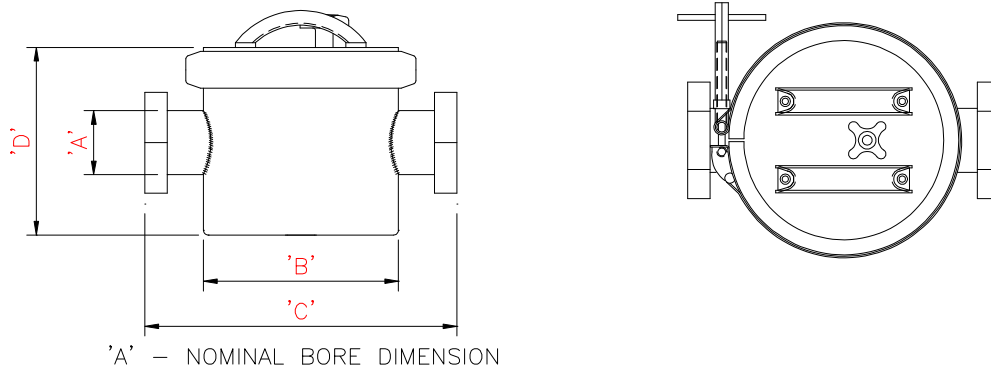
Secondary.

Liquid Filter Magnet

High Intensity – Rare Earth



Technical Data:-



'A' – NOMINAL BORE DIMENSION

Sizes:-

Part No	Spout Dia A (mm / ")	Dia B	Length C	Height D	No Rods	Weight Kgs
Single Wall						
ILF200/50	50 / 2"	200	350	200	7	22
ILF200/75	75 / 3"	200	350	200	7	22
ILF300/50	50 / 2"	300	450	300	9	36
ILF300/75	75 / 3"	300	450	300	9	36
ILF300/100	100 / 4"	300	450	300	9	36
Jacketed						
ILF200/50/J	50 / 2"	200	350	200	7	22
ILF200/75/J	75 / 3"	200	350	200	7	22
ILF300/50/J	50 / 2"	300	450	300	9	36
ILF300/75/J	75 / 3"	300	450	300	9	36
ILF300/100/J	100 / 4"	300	450	300	9	36

All dimensions in mm

Performance:-

Magnetic Performance:	9,000 Gauss High Strength
Performance Reading:	On tube surface
Magnetic Material:	Rare Earth Neodymium Iron Boron
Magnet Grade:	N45 – Inspected & confirmed via hysteresis prior to use
Temperature:	-20° C/ + 90° C
Pressure:	+/- 6 Bar

Materials:-

Housing:	316 Grade Stainless Steel
Tubing:	316 Grade Stainless Steel – Aerospace Quality
Other Parts:	316 Grade Stainless Steel
Surface Finish:	Brushed internally/externally to 1.2µm
Sealing:	Silicon rubber O-ring, brown
Band Clamp:	304 Grade Stainless Steel

Options:-

Stainless Steel Handles	High temperature Samarium Cobalt magnetic material + 250° C
11,000 Gauss fixed design	Overpressure to 30 Bar
304 Grade Stainless Steel	Pharmaceutical specification
ATEX certified	Flanged to suit
Safety relay switch	

