

ELECTROMAGNETS

Electromagnets are commonly used in industry for holding and handling pieces. They use a DC power supply and are supplied without a transformer or a rectifier.

Maximum working temperature: 60°C
Ingress Protection: IP 65

ATTENTION: When used for lifting, a safety coefficient of 3 must be applied. The weight of the load must be 3 times less than the traction force.



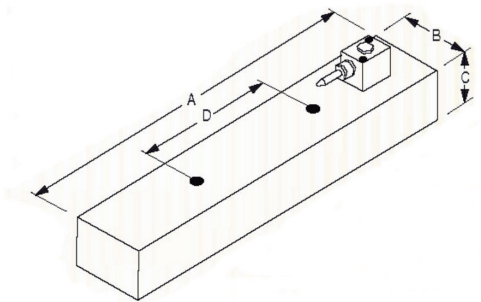
Maximum strength achieved in optimal conditions:

- On a iron plate ST-37
- 30 mm thick
- Grinded surface.

RECTANGULAR

Tension 24 V DC.

The voltage input is protected using terminals and protective housing with different possibilities for the electric cable outlet.

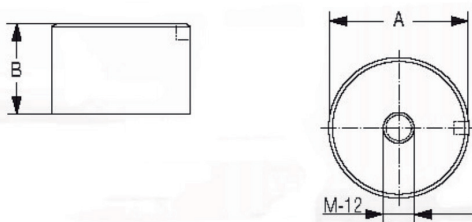


CODE	A mm	B mm	C mm	FIXING HOLES	D mm	POWER W	TRACTION FORCE daN	WEIGHT Kg
63.00.302	200	80	50	2 de M-10	100	28	440 daN	6,4
63.00.304	400	80	50	2 de M-10	200	51	1050 daN	12,8
63.00.305	500	80	50	2 de M-10	300	64	1400 daN	16
63.00.404	400	80	80	2 de M-10	200	79	996 daN	20,5
63.00.505	500	100	70	2 de M-12	300	70	1500 daN	28
63.00.508	800	100	70	2 de M-12	500	123	2400 daN	45

Other dimensions under request

CIRCULAR

12 V DC power supply.
1 m long connection cable
Top or side outlet



CODE	A mm	B mm	FIXING HOLES	POWER W	TRACTION FORCE daN	WEIGHT Kg
63.99.002	60	40	M-12	3,5	65 daN	0,6
63.99.003	80	50	M-12	12	200 daN	1,5
63.99.004	100	60	M-12	7,5	360 daN	2,9
63.99.005	120	80	M-12	22	520 daN	5,4

Other dimensions under request