

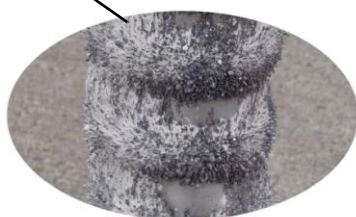
Easy Clean Grid Magnet

High Intensity – Rare Earth



Data Sheet No 506

Product Data:-



Preface:

The Eclipse Magnetics's high intensity Easy Clean grid is very versatile and can be utilised in most powder and granulate applications for the removal of ferrous and para-magnetic contamination down to sub-micron size.

These units can be manufactured to any size and with any number of rods to meet most application requirements. The grid's low profile side frame allows these units to be installed into existing chute work or machinery where height is restricted.

Easy clean grids can be cleaned in under fifteen seconds, so are of particular interest to those companies that run 24/7 operations or where downtime is minimal. These grids can also be supplied in housings for ease of installation into existing process lines, see data sheets 510 and 511.

Cleaning:

These grids can be cleaned in seconds. Simply move the swing clamp to the 'open' position, pull the magnetic cores out of the stainless steel tube assembly and the contamination simply falls away. It is at this stage that all attracted contamination can be easily removed allowing for inspection or further analysis.

Suitable Products:

Dry powders and granulates.

Suitable Locations:

Any vertical or slightly angled process line.

Benefits:

Easy to clean ■ Simple to install ■ Reduces 'spark' risk ■
Removes sub micron sized contaminants ■
Meet audit requirements ■ Rare Earth 9,000 Gauss ■

Category:

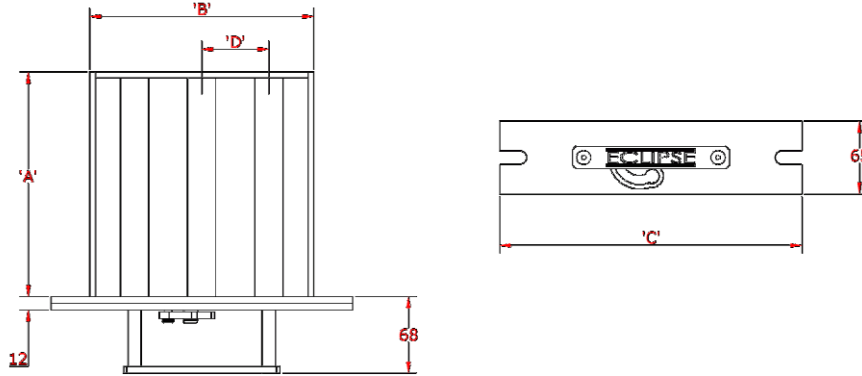
Secondary.

Easy Clean Grid Magnet

High Intensity – Rare Earth



Technical Data:-



Sizes:-

Part No	Length A	Width B	Width C	Centres D	No. Rods	Weight Kgs
EC1515	150	150	220	60	2	3.8
EC2020	200	200	270	60	3	4.2
EC2525	250	250	320	55	4	6.8
EC3030	300	300	370	55	5	8.6
EC3535	350	350	420	55	6	12.0
EC4040	400	400	470	55	7	16.3
EC4545	450	450	520	55	8	21.1
EC5050	500	500	570	55	9	25.0

All dimensions in mm

Performance:-

Magnetic Performance:

7,000 Gauss - Standard Strength

9,000 Gauss - High Strength

Performance Reading:

On tube surface

Magnetic Material:

Rare Earth Neodymium Iron Boron

Magnet Grade:

N35 & N45 – Inspected & confirmed via hystergaph prior to use

Temperature:

-20° C/ + 90° C

Materials:-

Grid Frame:

316 Grade Stainless Steel

Tubing:

316 Grade Stainless Steel – Aerospace Quality

Other Parts:

316 Grade Stainless Steel

Surface Finish:

Polished to 0.6µm

Swing Clamps:

304 grade stainless steel

Options:-

High temperature Samarium Cobalt magnetic material + 250° C

Sizes up to 1000mm x 1000mm

Pharmaceutical specification

Safety relay switch

ATEX certified

Eclipse Magnetics Ltd - A Spear & Jackson Group Company

Atlas Way, Atlas North, Sheffield, S4-7QQ, England

Tel:- ++44 (0)114 225 0555 Fax:- ++44 (0)114 225 0525

e-mail enquiries@eclipse-magnetics.co.uk - Web Site www.magneticseparation.co.uk

102008-Issue 1

Copyright Eclipse Magnetics 2008

