

Single Row Housed Easy Clean Magnet

High Intensity – Rare Earth



Data Sheet No 510

Product Data:-



Preface:

Eclipse Magnetics's high intensity magnetic Easy Clean housed grids offer unsurpassed levels of contamination removal. These units are so effective they can even remove sub-micron ferrous and para-magnetic contamination from the most demanding and arduous of process environments.

The unit comprises of one high intensity Easy Clean magnetic grid. The grid is secured into the housing by 'quick release' swing clamps. These ensure even pressure is generated around the food grade seal.

Where cleaning time is to be kept to a minimum, consider the Auto-Shuttle unit, which requires no intervention. For those applications where ultimate levels of removal are required a double row system is available (data sheet 511).

It is common to have numerous units installed throughout a processing facility to ensure contamination is removed at source of generation.

All powders and granular type materials that are dry can be processed through the unit. Electrical safety interlocks can be fitted to the grid to stop the process should it be accidentally opened see fig A.

Cleaning:

This unit benefits from the Eclipse Magnetics 'Easy Clean' system. This design allows all attracted contamination to be easily and quickly collected for further inspection or analysis.

Once the unit requires cleaning simply move the swing clamps to the 'open' position and remove the grid from the housing. The grid assembly can now be separated by moving the central swing clamp to open, allowing all attracted contamination to simply fall away.

Suitable Products:

Dry powders and granulates.

Suitable Locations:

Inlet/outlet points, pre/post silo and machinery points.

Benefits:

Easy to clean ■ High collection capacity ■ Reduces 'spark' risk
Removes sub micron sized contamination ■ Meet audit requirements ■ Rare Earth 9,000 Gauss ■

Category:

Secondary.

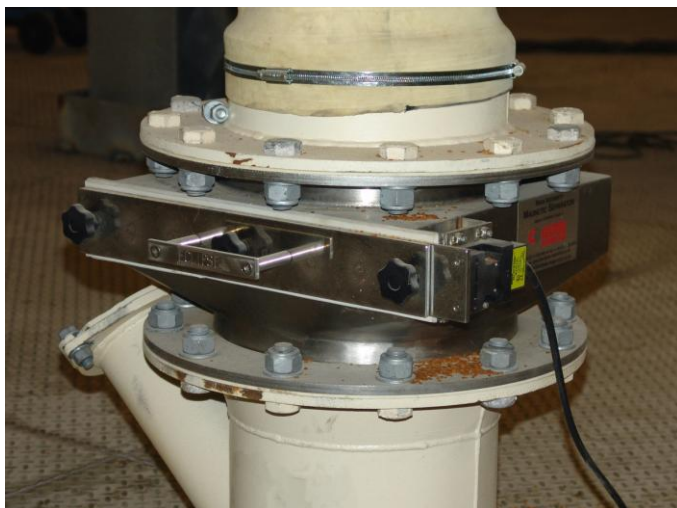


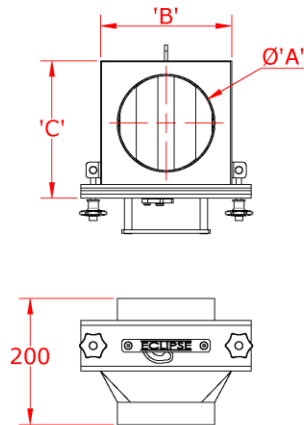
Fig A.

Single Row Housed Easy Clean Magnet

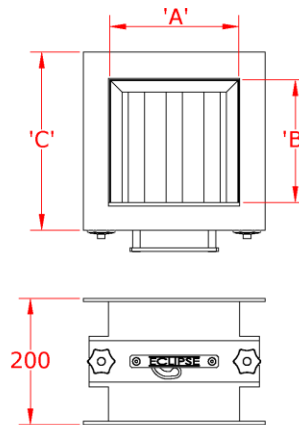
High Intensity – Rare Earth



Technical Data:- Round.



Square.



Sizes:-

Part No	Inlet/Outlet A (mm / ")	Width B	Depth C	No. of Rods	Weight
Round					
ECHS100	100 / 4" Ø	158	168	2	7
ECHS150	150 / 6" Ø	208	218	3	9
ECHS200	200 / 8" Ø	258	268	4	11
ECHS250	250 / 10" Ø	308	318	5	23
ECHS300	300 / 12" Ø	358	368	6	27
ECHS350	350 / 14" Ø	408	418	7	32
ECHS400	400 / 16" Ø	460	470	8	41
Square					
ECHS1010	100 / 4" Sq	100 / 4" Sq	180	2	6
ECHS1515	150 / 6" Sq	150 / 6" Sq	230	2	8
ECHS2020	200 / 8" Sq	200 / 8" Sq	280	3	9
ECHS2525	250 / 10" Sq	250 / 10" Sq	330	4	16
ECHS3030	300 / 12" Sq	300 / 12" Sq	380	5	20
ECHS3535	350 / 14" Sq	350 / 14" Sq	430	6	25
ECHS4040	400 / 16" Sq	400 / 16" Sq	480	7	29

All dimensions in mm

Performance:-

Magnetic Performance:	7,000 Gauss - Standard Strength 9,000 Gauss - High Strength
Performance Reading:	On tube surface
Magnetic Material:	Rare Earth Neodymium Iron Boron
Magnet Grade:	N45 – Inspected & confirmed via hysteresis prior to use
Temperature:	-20° C / + 90° C
Pressure:	+/- 0.2 Bar

Materials:-

Housing:	316 Grade Stainless Steel
Other Parts:	316 Grade Stainless Steel
Surface Finish:	Brushed internally/externally to 1.2µm
Sealing:	FDA approved silicon rubber
Swing Clamps:	304 grade stainless steel
Note:	Round inlet housing supplied as plain spout. Square inlet housing supplied with laser cut flanges.

Options:-

High temperature Samarium Cobalt magnetic material, + 250° C	
Overpressure to +/- 10 Bar	Sizes up to 1000mm Ø or square
304 Grade Stainless Steel	Pharmaceutical specification
ATEX certified	Flanged to suit
Safety relay switches	Grid support track system

Eclipse Magnetics Ltd - A Spear & Jackson Group Company

Atlas Way, Atlas North, Sheffield, S4-7QQ, England

Tel:- ++44 (0)114 225 0555 Fax:- ++44 (0)114 225 0525

e-mail enquiries@eclipse-magnetics.co.uk - Web Site www.magneticseparation.co.uk

052011-Issue 2

Copyright Eclipse Magnetics 2008

