

Drum Magnet

High Intensity – Rare Earth



Data Sheet No 601

Product Data:-



Preface:

The Eclipse high intensity drum magnet is ideal for the continuous removal of tramp ferrous contamination from any dry bulk material. Often installed in the most arduous of applications these units can be relied upon to ensure contamination extraction is achieved.

Drums should be fitted at the discharge end of conveyors or vibratory feeders. High performance Rare Earth magnets are incorporated within a stainless steel wear resistant drum shell. The magnets remain static as the drum rotates enabling the unit to continually clean.

Units are available for all product volume flows ranging from 5-500m³/hr and a contamination loading of up to 50% of the total product volume.

Cleaning:

The processed product is fed over the drum surface where any contamination is attracted. As the drum rotates, carry over fins move the contamination to the rear of the drum where the magnetic area ends, enabling the contamination to fall in the opposite direction of the material being processed. The drum rotates at between 20-25 RPM ensuring that even the most heavily contaminated product can be separated.

Suitable Products:

Dry powders, granulates, grain and sand etc.

Suitable Locations:

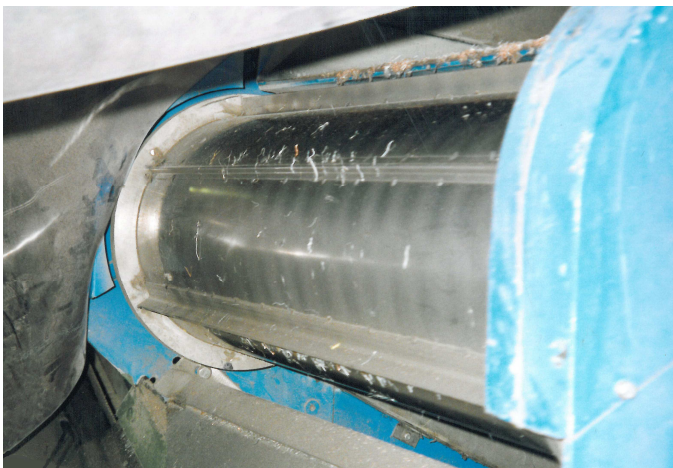
End of conveyor belt, vibratory feeder or inline chute sections.

Benefits:

Continuous self cleaning ■ Allows difficult products to be screened ■ High volume capacity ■ Reduces 'spark' risk ■ Removes large to medium sized contamination ■

Category:

Primary.

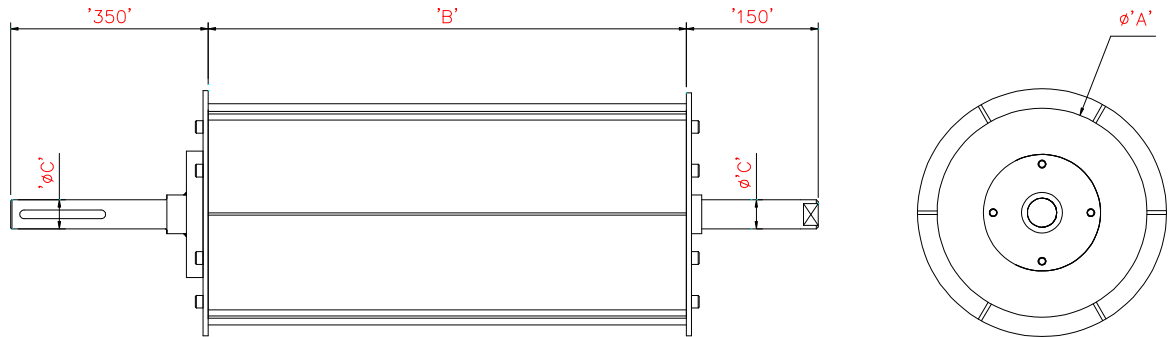


Drum Magnet

High Intensity – Rare Earth



Technical Data:-



Sizes:-

Part No	Dia A	Width B	Dia C	Weight Kgs
DMN2140	215 / 8.5"	400	30	60
DMN2150	215 / 8.5"	500	30	72
DMN2160	215 / 8.5"	600	30	84
DMN2170	215 / 8.5"	700	30	96
DMN2180	215 / 8.5"	800	30	108
DMN2190	215 / 8.5"	900	30	120
DMN21100	215 / 8.5"	1000	30	132
DMN3140	315 / 12.5"	400	40	82
DMN3150	315 / 12.5"	500	40	84
DMN3160	315 / 12.5"	600	40	108
DMN3170	315 / 12.5"	700	40	122
DMN3180	315 / 12.5"	800	40	136
DMN3190	315 / 12.5"	900	40	150
DMN31100	315 / 12.5"	1000	40	154
DMN4040	400 / 15.75"	400	50	125
DMN4050	400 / 15.75"	500	50	140
DMN4060	400 / 15.75"	600	50	155
DMN4070	400 / 15.75"	700	50	170
DMN4080	400 / 15.75"	800	50	185
DMN4090	400 / 15.75"	900	50	200
DMN40100	400 / 15.75"	1000	50	215

All dimensions in mm

Performance:-

Magnetic Performance:	Rare Earth 3,500 Gauss
Magnetic Material:	Rare Earth Neodymium Iron Boron
Magnetic Field Depth:	215mm Dia = 85mm – 315mm Dia = 100mm – 400mm Dia 150mm*
Temperature:	-20° C/ + 80° C
	*Mild Steel test piece 5mm Ø x 25mm long

Materials:-

Drum Shell:	304 Grade Stainless Steel – Aerospace Quality
Surface Finish:	Bead blasted

Options:-

High temperature Samarium Cobalt magnetic material + 250° C
 316 Grade Stainless Steel
 ATEX certified