

NEW MODEL

PORTABLE DEMAGNETIZER 2.0

Demagnetizers are devices with the function of removing the remaining magnetism of the pieces after they have been in contact with a magnetic field.

Model: PORTABLE 2.0

To remove residual magnetism in large pieces a portable demagnetizer is required.

All portable demagnetizers are of intermittent service, they are used to demagnetize pieces in a punctual way. Our portable demagnetizer 2.0 cannot be connected for more than 10 minutes. It incorporates a thermostat that disconnects it when it reaches the maximum permissible temperature (60°C); it cannot be reconnected until the temperature has decreased.

The device is held with the hands and passed over the piece, as close as possible to the surface, but without touching it.

This new model of portable demagnetizer offers a advantages over the other models we currently find in the market:

Greater demagnetization capacity:

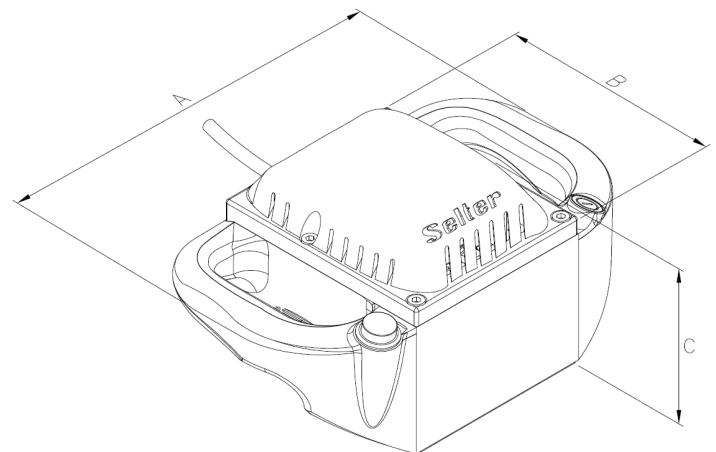
- Power: 1.560 VA (it is the most powerful on the market)
- Effectiveness of the magnetic field: until 40 mm
- Intensity: 7,1 A

More manageable:

- Ergonomic design
- With two handles for fastening
- Activation by means of a button

Other features:

- Input voltage at 220-240 V / 50-60 Hz.
- Polyamide PA12 housing
- ED (duty cycle) 30%



Important:
It can be customized
with your branding

PORTABLE DEMAGNETIZER 2.0						
CODE	A mm	B mm	C mm	INTENSITY A	POWER V.A.	WEIGHT Kg
70.01.002	230	170	110	7,1	1560	5

